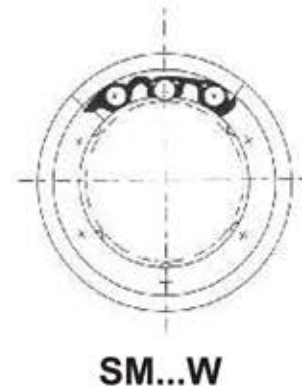
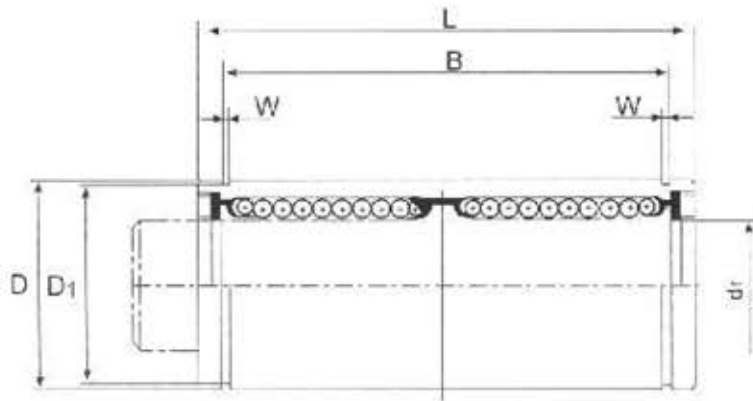
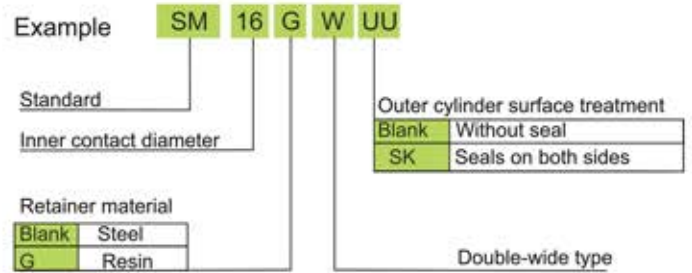


# LINEAR BALL BEARINGS



Nominal Part No				Major Dimensions and Tolerance (mm)								Eccentricity μm	Basic load Rating		Nominal Part No		
Steel Retainer	Resin Retainer	Ball Circuit	Weight g	dr	Tolerance	D	Tolerance	L	Tolerance	B	Tolerance		W	D <sub>i</sub>		Dynamic C(N)	Static Co(N)
SM6W	SM6GW	4	16	6	—	12	0	35	—	27	—	1.1	11.5	15	323	530	SM 6W
SM8W	SM8GW	4	31	8	—	15	-0.013	45	—	35	—	1.1	14.3	15	431	784	SM 8W
SM10W	SM10GW	4	62	10	0	19	—	55	—	44	—	1.3	18	15	588	1,100	SM 10W
SM12W	SM12GW	4	80	12	-0.010	21	0	57	0	46	0	1.3	20	15	657	1,200	SM 12W
SM13W	SM13GW	4	90	13	—	23	-0.016	61	-0.3	46	-0.3	1.3	22	15	813	1,570	SM 13W
SM16W	SM16GW	5	145	16	—	28	—	70	—	53	—	1.6	27	15	1,230	2,350	SM 16W
SM20W	SM20GW	5	180	20	—	32	0	80	—	61	—	1.6	30.5	20	1,400	2,750	SM 20W
SM25W	SM25GW	6	440	25	0	40	-0.019	112	—	82	—	1.85	38	20	1,560	3,140	SM 25W
SM30W	SM30GW	6	580	30	-0.012	45	—	123	—	89	—	1.85	43	20	2,490	5,490	SM 30W
SM35W	SM35GW	6	795	35	—	52	0	135	—	99	—	2.1	49	25	2,650	6,270	SM 35W
SM40W	SM40GW	6	1,170	40	0	60	-0.022	154	0	121	0	2.1	57	25	3,430	8,040	SM 40W
SM50W	SM50GW	6	3,100	50	-0.015	80	—	192	-0.4	148	-0.4	2.6	76.5	25	6,080	15,900	SM 50W
SM60W	SM60GW	6	3,500	60	0	90	-0.025	211	—	170	—	3.15	86.5	25	7,650	20,000	SM 60W