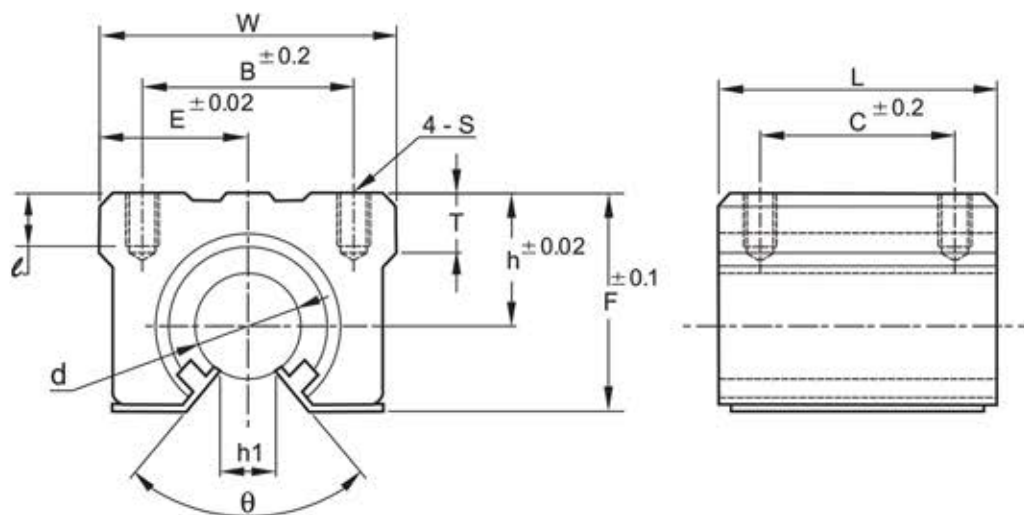


# HOUSING UNITS



## HOUSING-OPEN TYPE (SME - UU SERIES)

Model No.	Shaft Dia d	Main Dimensions.							Mounting Dimensions.					Linear ball bearing			
		$h \pm 0.02$	$E \pm 0.02$	W	L	F	T	$h_1$	$\theta$	$B \pm 0.2$	$C \pm 0.2$	S	$\ell$	LM Bearing No.	Basic dynamic load rating C(kg)	Basic Static load rating Co(kg)	*Unit Weight g
SME 16	16	20.1	22.5	45	45	33	9	10	80°	32	30	M 5	12	LM 16UU OP	79	120	150
SME 20	20	23	24	48	50	39	11		60°	35	35	M 6		LM 20UU OP	90	140	200
SME 25	25	27	30	60	65	47	14	11.5	40	40	LM 25UU OP			100	160	450	
SME 30	30	33	35	70	70	56	16.8	14	50°	50	50	M 8	18	LM 30UU OP	160	280	630
SME 40	40	42	45	90	90	72	22	19		65	65	M 10	20	LM 40UU OP	220	410	1,330
SME 50	50	52	60	120	110	92	24	28		94	80	M 10	25	LM 50UU OP	382	793	2,900

\* Includes weight of LM Bearing.