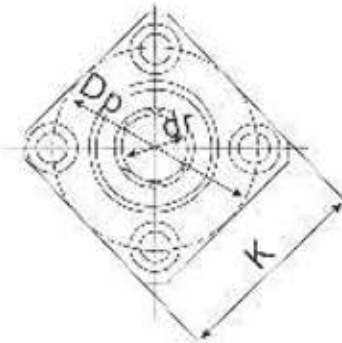
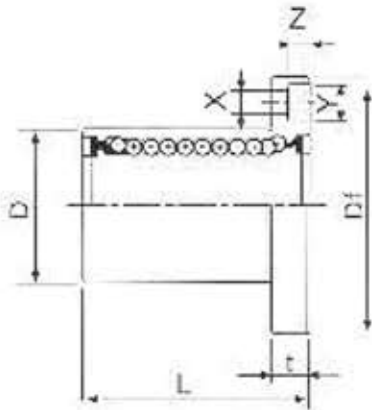
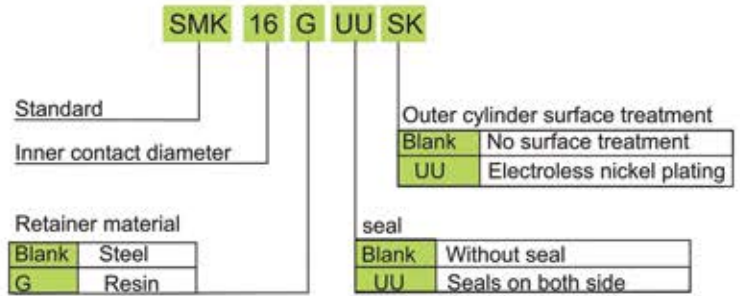


LINEAR BALL BEARINGS



SMF

Nominal Part No				Major Dimensions and Tolerance (mm)										Eccentricity µm	Squareness µm	Basic load Rating		Nominal Part No
Steel Retainer	Resin Retainer	Ball Circuit	Weight g	dr Tolerance	D Tolerance	L Tolerance	Flange						Dynamic C(N)			Static Co(N)		
							Df	t	Dp	X	Y	Z						
SMK 6	SMK6G	4	24	6	12	19	28	5	20	3.5	6	3.1	12	12	206	265	SMK6	
SMK8	SSMK8SG	4	32	8	15	17	32	5	24	3.5	6	3.1	12	12	176	216	SMK8S	
SMK8	SMK8G	4	37	8	15	24	32	5	24	3.5	6	3.1	12	12	274	392	SMK8	
SMK10	SMK10G	4	72	10	19	29	40	6	29	4.5	7.5	4.1	12	12	372	549	SMK10	
SMK12	SMK12G	4	76	12	21	30	42	6	32	4.5	7.5	4.1	12	12	510	784	SMK12	
SMK13	SMK13G	4	88	13	23	32	43	6	33	4.5	7.5	4.1	12	12	510	784	SMK13	
SMK16	SMK16G	5	120	16	28	37	48	6	38	4.5	7.5	4.1	12	12	774	1,180	SMK16	
SMK20	SMK20G	5	180	20	32	42	54	8	43	5.5	9	5.1	15	15	882	1,370	SMK20	
SMK25	SMK25G	6	340	25	40	59	62	8	51	5.5	9	5.1	15	15	980	1,570	SMK25	
SMK30	SMK30G	6	470	30	45	64	74	10	60	6.6	11	6.1	15	15	1,570	2,740	SMK30	
SMK35	SMK35G	6	650	35	52	70	82	10	67	6.6	11	6.1	20	20	1,670	3,140	SMK35	
SMK40	SMK40G	6	1,060	40	60	80	96	13	78	9	14	8.1	20	20	2,160	4,020	SMK40	
SMK50	SMK50G	6	2,200	50	80	100	116	13	98	9	14	8.1	20	20	3,820	7,940	SMK50	
SMK60	SMK60G	6	3,000	60	90	110	134	18	112	11	17	11.1	25	25	4,700	10,000	SMK60	