

## HZ Manual Clamping Units

- Broad range of Product for all common profile rail guides.
- Tool free Opening and Closing by turning the clamping lever
- Maintenance free Up to 25000 static clamping cycles.



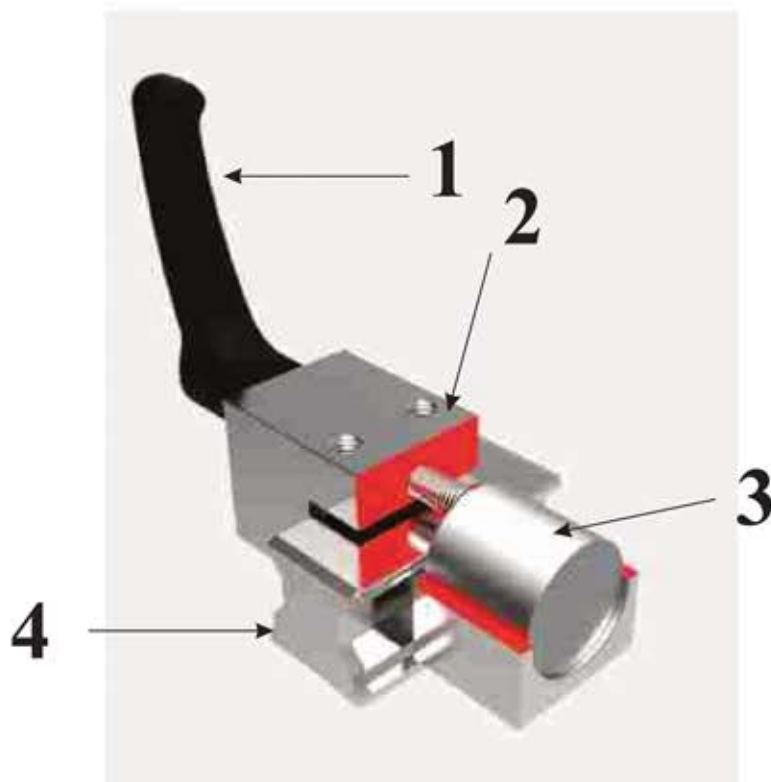
### Applications:

- Table transverse & carriages.
- Adjustment of width & stops.
- Positioning of optic instruments & measuring table.

### Adapter Plate:

In addition, an adapter plate might have to be ordered as height compensation depending on the height of the runner block.

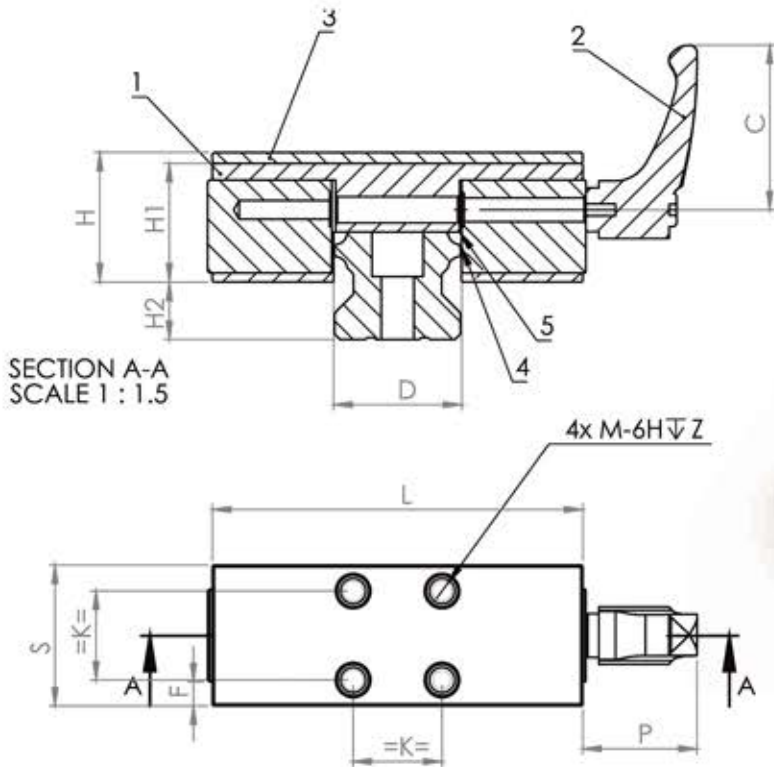
## HZ Manual Clamping Units



1. Adjustable Clamping Lever
2. Housing
3. Clamping Jaw
4. Profile rail guide

Rail Size	15 - 65 mm
Holding Force	1200 - 2000 N.
Fastening torque clamp lever	4 - 22 Nm.
Clamping Cycles	Up to 25000
Operation	Manual.
Operating Temperature	(-10 ...+70) °C

# HZ Manual Clamping Units



S N	Part Name	Qty
1	Housing	1
2	Adjustable Handle	1
3	Adaptor plate	1
4	Locking part	2
5	O ring	3

Unit: mm

Model	L	W	X	C	D	M	Z	H	H1	H2	T	B
HZ 15	47	25	17	4	33.5	M4	5	28	24	6.5	44	15
HZ 20	60	24	15	4.5	33.5	M5	6	30	30	9	44	20
HZ 25	70	30	20	5	41.5	M6	7	40	36	12	63	23
HZ 30	90	38	22	8.5	50.5	M6	8	45	42	12	78	28
HZ 35	100	38	24	7.5	50.5	M8	10	55	45	13	78	34
HZ 45	120	44	26	9	50.5	M10	14	70	60	18	78	45
HZ 55	140	49	30	9.5	61.5	M16	16	80	70	21	95	53
HZ 65	170	64	35	14.5	61.5	M24	24	90	90	26	95	63

Note: Specifications are subject to change without notice.